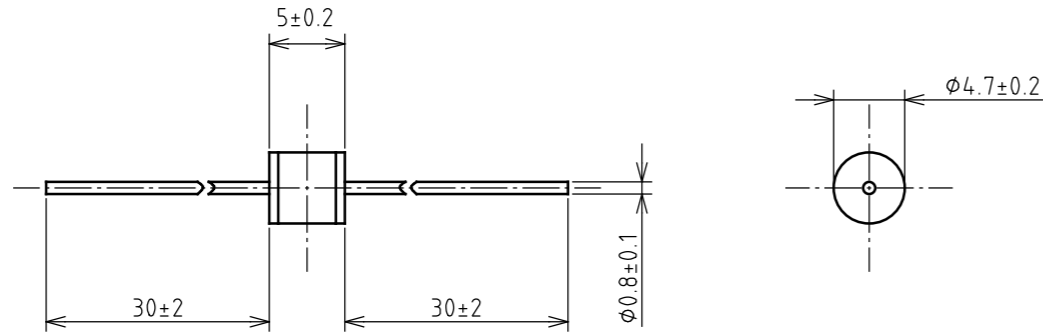
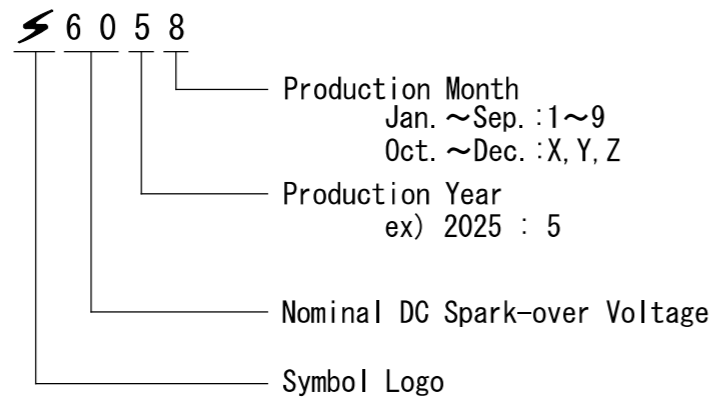


1. Construction and dimensions



2. Marking



3. Electrical Characteristics

1. DC Spark-over Voltage	100V/s	51~72V
2. Impulse Spark-over Voltage	1kV/μs	≤600V
3. Insulation Resistance	DC 50V	≥1,000MΩ
4. Capacitance	1MHz	≤1pF
5. Impulse Life	10/1000μs 10A	300times
6. Impulse Discharge Current	8/20μs 3kA	+5, -5times
	8/20μs 5kA	1time
7. AC Discharge Current	50Hz, 5A 1sec	5times
	50Hz, 10A 1sec	1time

After Test of Item 5, 6 and 7

1) DC Spark-over Voltage	100V/s	51~120V
2) Impulse Spark-over Voltage	1kV/μs	≤700V
3) Insulation Resistance	DC 50V	≥10MΩ

4. Operation and Storage Temperature and Humidity

Temperature	-40 ~ +90°C
Humidity	≤90%

5. Quality Assurance Period and Content of Assurance

The warranty period for this product is generally one year (*) from the date of delivery. Failures that occur during this time will be repaired free of charge or replaced only with non-defective ones if the cause is clearly judged to be our responsibility. The warranty does not cover any damage or damage to the device caused by lightning. The cost of replacement is not covered by the warranty. This product is shipped after strict in-house inspection. However, please contact the dealer or each branch office of purchase for any trouble caused by a malfunction or accident during transportation. Purchased items are not covered by our warranty but are covered by the manufacturer's warranty.

*:If you wish to extend the warranty, we will discuss the warranty separately.

However, the warranty does not apply in the following cases:

- ① If the product arises from use that is contrary to the conditions or precautions stated in the specifications or instruction manual, etc.
- ② Lightning, fire, earthquake, typhoon, eruption, flood, tsunami, salt damage, snow damage, freezing, abnormal temperature, abnormal vibration, Cases caused by other natural disasters.
- ③ When caused by changes in geology or topography, such as ground fluctuations or landslides.
- ④ Cases resulting from external factors such as fire, explosion, collision, corrosive gas, or contact with flying objects.
- ⑤ Cases arising from acts of a third party.
- ⑥ If the product is modified irrespective of our company, or improper handling such as moving, transporting or dropping the installation site, Cases arising from secondary construction.
- ⑦ Cases caused by damage or improper construction of foundation or mounting pole (outside our construction scope).
- ⑧ The failure or failure of the equipment connected to this product.
- ⑨ If it occurs without performing inspection and action for maintenance items recommended by us.
- ⑩ Products purchased and provided shall be within the scope of the warranty.

DSN	S.E.D.	Feb. 19.'25	UNIT	mm	A3	TITLE	CERAMIC ARRESTER Y05-60B	
DWG	<i>Y. Mimura</i>	Aug. 07.'25	SCALE	2/1		DWG No.	T-240250C01	REV.
CHK	<i>S. Ito</i>	Aug. 07.'25						a