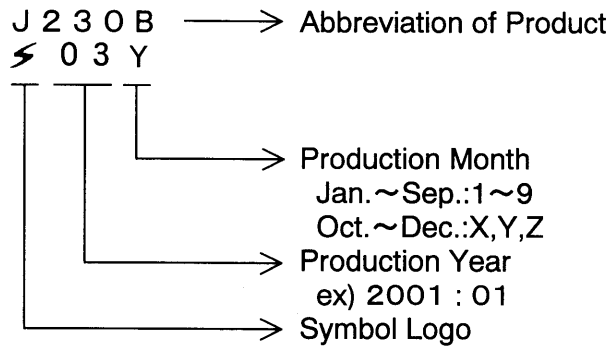
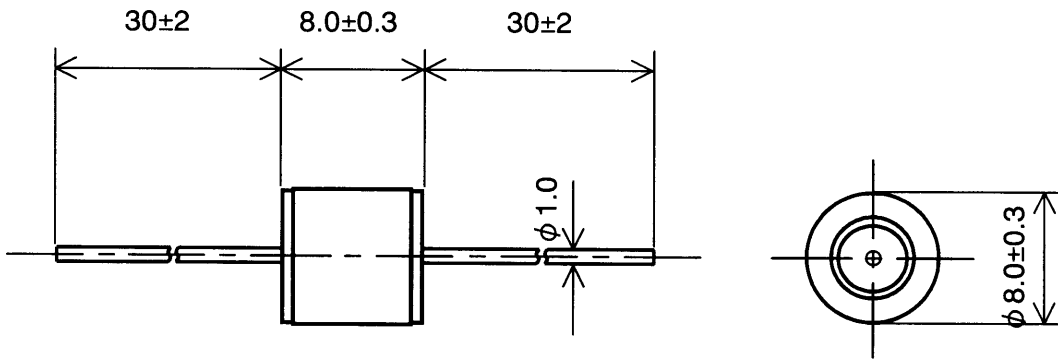


Construction and dimensions



Electrical Characteristics

1. DC Spark-over Voltage	100V/s	230V±20%
2. Impulse Spark-over Voltage	1kV/μs	≧700V
	100V/μs	≧600V
3. Insulation Resistance	100V DC	≧10,000MΩ
4. Capacitance	1MHz	≧1.0pF
5. DC Holdover Voltage	52V, ITU-T K.12 test1	≧150ms
6. Impulse Life	10/1000 μs, 500A	500times
7. Impulse Discharge Current	8/20 μs, 20kA	10times
8. AC Discharge Current	50Hz 1sec, 20A	10times

※ After Test of Item 6,7 and 8

1) DC Spark-over Voltage	100V/s	180~300V
2) Impulse Spark-over Voltage	1kV/μs	≧800V
3) Insulation Resistance	100V DC	≧100MΩ

DSN	S.E.D	Oct.30,'03	UNIT	mm		TITLE	CERAMIC ARRESTER Y08J-230B
DWG	<i>M. Omata</i>	<i>Oct. 30, '03</i>	SCALE	$\frac{1}{1}$		DWG No.	T-030690C01
CHK	<i>Y. Sasaki</i>	<i>Oct. 31, '03</i>	SANKOSHA			REV	